

SOUTHWEST MISSISSIPPI ELECTRIC POWER ASSOCIATION

METER LOOP SPECIFICATIONS TEMPORARY OVERHEAD SERVICE

METER LOOP MUST BE INSTALLED FOR STAKING ENGINEER TO STAKE!

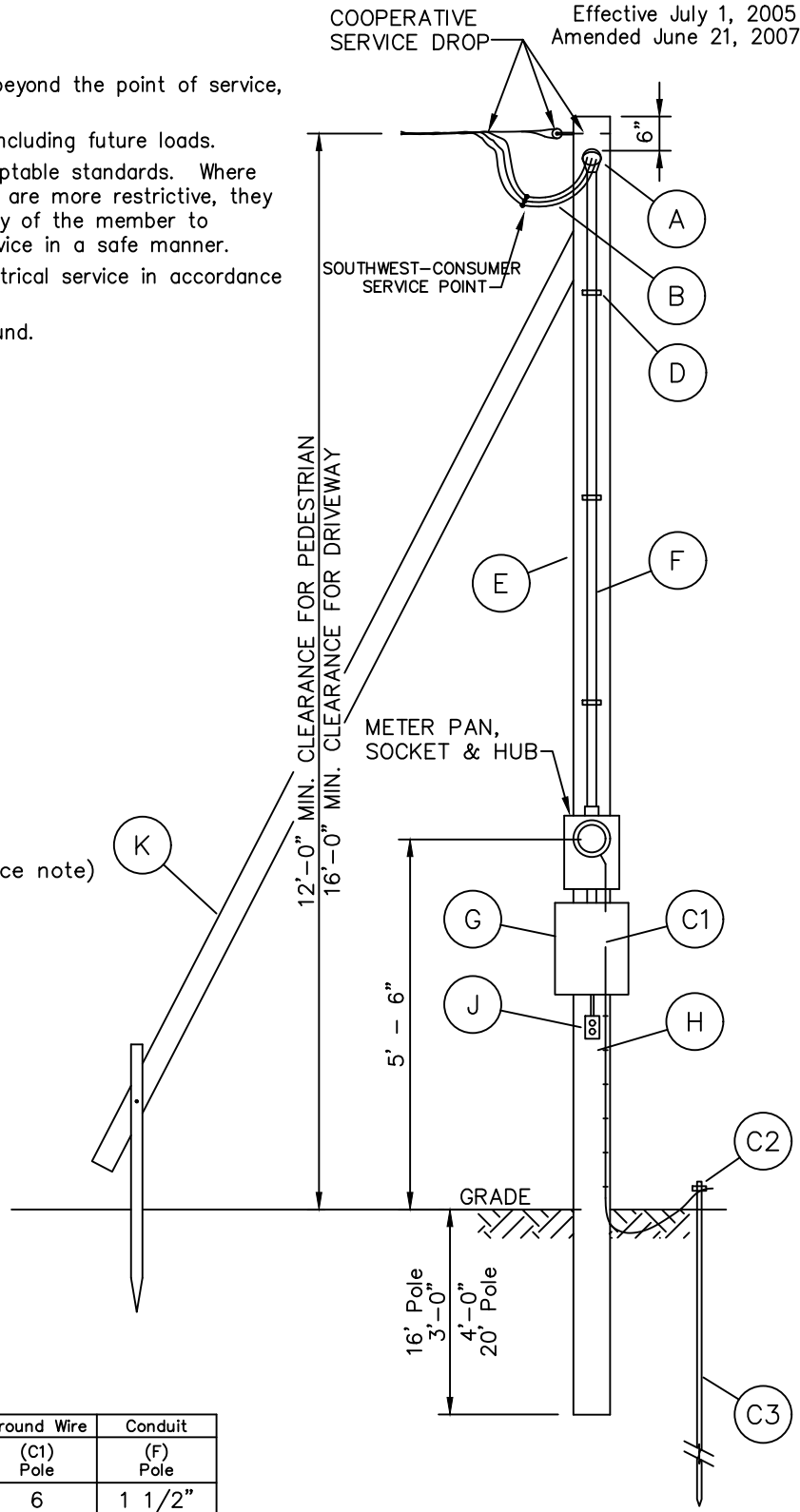
COOPERATIVE SERVICE DROP
Effective July 1, 2005
Amended June 21, 2007

GENERAL REQUIREMENTS:

1. Consumer is responsible for all equipment beyond the point of service, except the meter.
2. Consumer is responsible for load capacity including future loads.
3. This drawing is illustrative of generally acceptable standards. Where National, Local, City or Community codes are more restrictive, they shall govern. It shall be the responsibility of the member to construct and maintain the electrical service in a safe manner.
4. Use qualified electrician and install the electrical service in accordance with the National Electric Code.
5. Meter pan height shall be 5'-6" above ground.

Legend:

- A) Weatherhead.
- B) Service entrance conductors, copper only.
- C1) Pole grounding conductor, copper only, bare.
- C2) Ground rod clamps: Acorn type below grade recommended, clamp type above grade.
- C3) Ground rod 8' long, 1/2" dia. copperweld or 5/8" dia. galv.
- D) Conduit straps: Min. 3, galv.
- E) Pole: 4"x4"x 16' or 20' (see clearance note) pressure treated crosote, penta, or CCA process only.
- F) Rigid Galvanized or Schedule 80 PVC conduit and fittings only. NO EMT.
- G) Service main disconnect: All outlets must be GFI protected.
- H) Staples, copper or copperweld, 6" apart.
- J) Weatherproof receptacle. All receptacles must be GFCI protected.
- K) Brace: 2"x4"x16' braced in the direction of new service.



(G) Full Capacity Amperes	(B) Conductor sizes: Insulation type, 30°C ambient, THHN-Copper			Ground Wire (C1) Pole	Conduit (F) Pole
	Phase	Neutral			
100	2	2	X	6	1 1/2"
150	1/0	1/0	X	4	2"
200	2/0	2/0	X	4	2"

REVISIONS	
1	
2	
3	
4	
5	
6	
7	

SOUTHWEST MISSISSIPPI EPA
POLE MOUNTED METER LOOP SPECS
TEMPORARY OVERHEAD SERVICE

DRAWN ON: 11-22-21
DRAWN BY: JB
APPV BY: DH

Serving our Cooperative Members

File: Pole Mounted Meter Permanent Temp OH Service.dwg