

# SOUTHWEST MISSISSIPPI ELECTRIC POWER ASSOCIATION

## METER LOOP SPECIFICATIONS UNDERGROUND TEMPORARY SERVICE

**METER LOOP MUST BE INSTALLED FOR STAKING ENGINEER TO STAKE!**

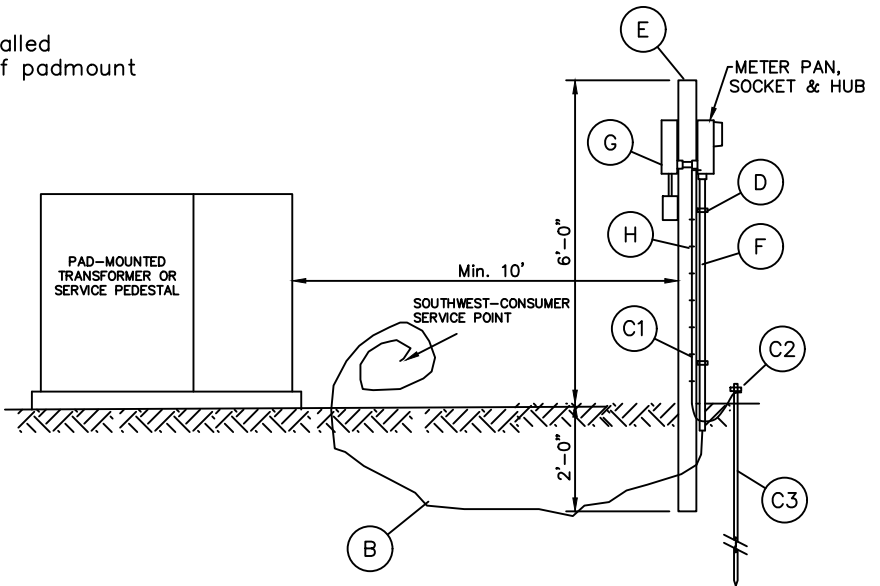
Amended June 21, 2007

**GENERAL REQUIREMENTS:**

1. Consumer is responsible for all equipment beyond the point of service, except the meter.
2. Consumer is responsible for load capacity including future loads.
3. This drawing is illustrative of generally acceptable standards. Where National, Local, City or Community codes are more restrictive, they shall govern. It shall be the responsibility of the member to construct and maintain the electrical service in a safe manner.
4. Use qualified electrician and install the electrical service in accordance with the National Electric Code.
5. Meter pan height shall be 5'-6" above ground.

**Legend:**

- A) Not used.
- B) Service entrance conductors, see table below. Furnished and installed by the customer. Install within 3' of padmount
- C1) Pole grounding conductor, copper only, bare.
- C2) Ground rod clamps: Acorn type below grade recommended, clamp type above grade.
- C3) Ground rod 8' long, 1/2" dia. copperweld or 5/8" dia. galv.
- D) Conduit straps: Min. 2, galv.
- E) Pole: 4"x4"x8' pressure treated cresote, penta or CCA process only.
- F) PVC Sch. 80 or rigid galvanized conduit. NO EMT.
- G) Service main disconnect: Circuit breaker recommended, raintype enclosure. All receptacles must be GFI protected.
- H) Staples, copper or copperweld, 6" apart.



(G) Full Capacity Amperes	(B) Conductor sizes: Insulation type, 30°C ambient, THHN-Copper			Ground Wire (C1)	Conduit (F)
	Phase	Neutral			
100	2	2	X	6	X
150	1/0	1/0	X	4	X
200	2/0	2/0	X	4	X

REVISIONS	
1	
2	
3	
4	
5	
6	
7	

**SOUTHWEST MISSISSIPPI EPA**  
**METER LOOP SPECS**  
**UNDERGROUND TEMPORARY SERVICE**

DRAWN ON: 11-22-21

DRAWN BY: JB

APPV BY: DH

Serving our Cooperative Members

File: Meter Underground Temp Service.dwg